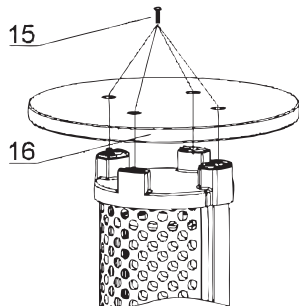
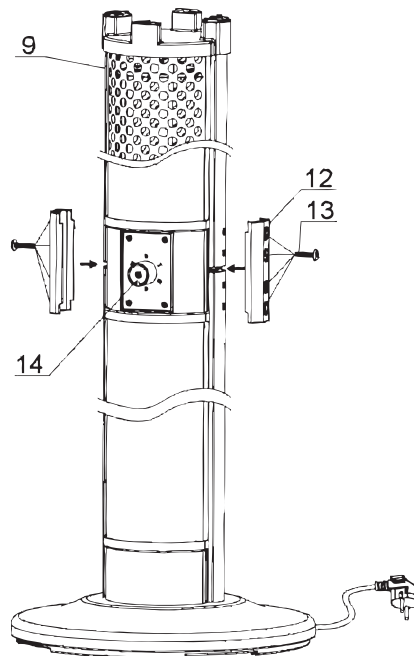
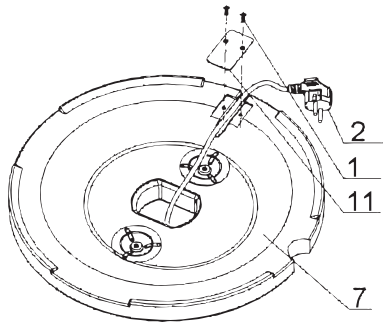
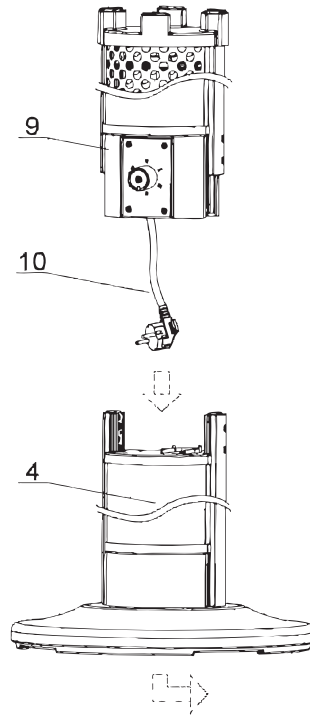
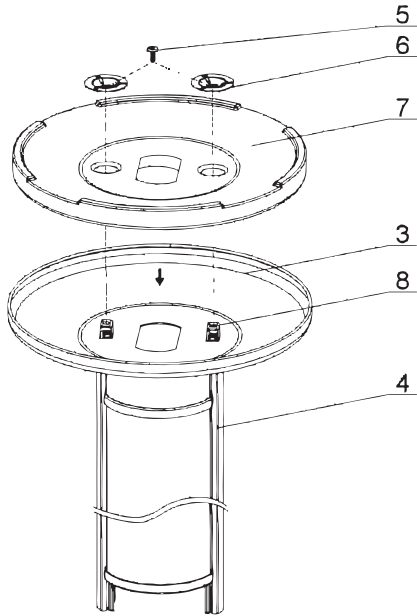


Parts Breakdown

Model PH-CN-1400-P 43124



Parts Breakdown

Model PH-CN-1400-P 43124

Item No.	Description	Position	Item No.	Description	Position	Item No.	Description	Position
61146	Screw M4x28 for 43124	1	61152	Base for 43124	7	61158	Screw M6x27 for 43124	13
61147	Plug for 43124	2	61153	Base Bracket for 43124	8	61159	Switch for 43124	14
61148	Base Cover for 43124	3	61154	Upper Body for 43124	9	61160	Tapping Screw ST4x12 for 43124	15
61149	Lower Body for 43124	4	61155	Power Supply Cord for 43124	10	61161	Table for 43124	16
61150	Screw M6x20 for 43124	5	61156	Cord Clip for 43124	11	61162	Accessory Pack for 43124	
61151	Washer for 43124	6	61157	Joint Board for 43124	12			